



# INSTRUCTION MANUAL

SIL 2 Repeater Power Supply  
Hart, DIN-Rail and Termination Board,  
Models D6011S, D6011D



## Characteristics

### General Description:

The single and dual channel Repeater Power Supply, D6011S and D6011D module is a high integrity analog input interface suitable for applications requiring SIL 2 level (according to IEC 61508:2010 Ed. 2) in safety related systems for high risk industries. It provides a fully floating dc supply for energizing conventional 2 wires 4-20 mA transmitters and repeats the current in floating circuit to drive a load.

The circuit allows bi-directional communication signals, for Hart transmitters.

Mounting on standard DIN-Rail, with or without Power Bus, or on customized Termination Boards, in Safe Area.

### Functional Safety Management Certification:

G.M. International is certified by TUV to conform to IEC61508:2010 part 1 clauses 5-6 for safety related systems up to and included SIL3.



## Technical Data

### Supply:

24 Vdc nom (18 to 30 Vdc) reverse polarity protected, ripple within voltage limits  $\leq 5$  Vpp, 2 A time lag fuse internally protected.

**Current consumption @ 24 V:** 85 mA for 2 channels D6011D, 42.5 mA for 1 channel D6011S with 20 mA output typical.

**Power dissipation:** 1.25 W for 2 channels D6011D, 0.62 W for 1 channel D6011S with 24 V supply voltage and 20 mA output typical.

### Isolation (Test Voltage):

I.S. In/Out 2.5 KV; I.S. In/Supply 2.5 KV; I.S. In/I.S. In 500 V;

Out/Supply 500 V; Out/Out 500 V.

### Input:

4 to 20 mA (2 wires Tx current limited at  $\approx 25$  mA), reading range 0 to 24 mA.

### Transmitter line voltage:

15.0 V typical at 20 mA with max.

20 mVrms ripple on 0.5 to 2.5 KHz frequency band, 14.5 V minimum.

### Output:

4 to 20 mA, on max. 550  $\Omega$  load in source mode (typical 12 V compliance).

**Response time:** 5 ms (0 to 100 % step change).

**Output ripple:**  $\leq 20$  mVrms on 250  $\Omega$  communication load on 0.5 to 2.5 KHz band.

**Frequency response:** 0.5 to 2.5 KHz bidirectional within 3 dB (Hart protocol).

### Performance:

Ref. Conditions 24 V supply, 250  $\Omega$  load,  $23 \pm 1$  °C ambient temperature.

**Calibration accuracy:**  $\leq \pm 0.1$  % of full scale.


**Linearity error:**  $\leq \pm 0.05$  % of full scale.

**Supply voltage influence:**  $\leq \pm 0.02$  % of full scale for a min to max supply change.

**Load influence:**  $\leq \pm 0.02$  % of full scale for a 0 to 100 % load resistance change.

**Temperature influence:**  $\leq \pm 0.01$  % of full scale on zero and span for a 1 °C change.

### Compatibility:

 CE mark compliant, conforms to Directives:  
2004/108/CE EMC, 2006/95/EC LVD, 2011/65/EU RoHS.

### Environmental conditions:

**Operating:** temperature limits - 40 to + 70 °C, relative humidity 95 %, up to 55 °C.

**Storage:** temperature limits - 45 to + 80 °C.

### Approvals:



TUV Certificate conforms to IEC61508:2010 Ed. 2 (Pending).

TUV Certificate No. C-IS-236198-09, SIL 3 Functional Safety Certificate conforms to IEC61508:2010 Ed.2, for Management of Functional Safety.

### Mounting:

T35 DIN-Rail according to EN50022, with or without Power Bus or on customized Termination Board.

**Weight:** about 130 g D6011D, 110 g D6011S.

**Connection:** by polarized plug-in disconnect screw terminal blocks to accommodate terminations up to 2.5 mm<sup>2</sup>.

**Protection class:** IP 20.

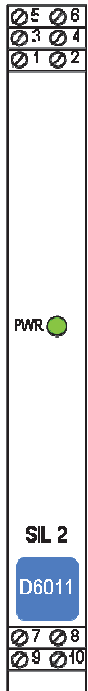
**Dimensions:** Width 12.5 mm, Depth 123 mm, Height 120 mm.

## Ordering Information

Model:	D6011	
1 channel		S
2 channels		D

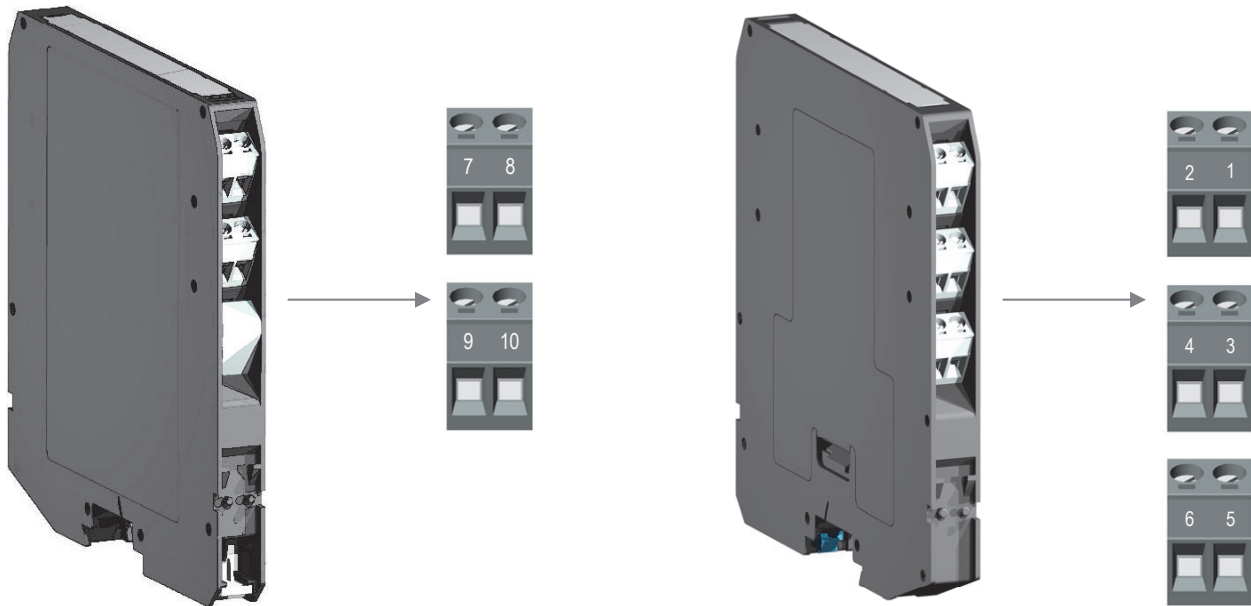
Power Bus and DIN-Rail accessories:  
 Connector JDFT049      Cover and fix MCHP196  
 Terminal block male MOR017      Terminal block female MOR022

## Front Panel and Features



- SIL 2 according to IEC 61508:2010
- 4-20 mA Input / Output Signal, Source mode.
- Hart compatible.
- Input and Output short circuit proof.
- High Accuracy.
- Three port isolation, Input/Output/Supply.
- EMC Compatibility to EN61000-6-2, EN61000-6-4, EN61326-1, EN61326-3-1 for safety system.
- TÜV Functional Safety Certification.
- High Density, two channels per unit.
- Simplified installation using standard DIN-Rail and plug-in terminal blocks, with or without Power Bus, or customized Termination Boards.

## Terminal block connections



**7** + Input Ch 1 for 2 wires Transmitters

**8** - Input Ch 1 for 2 wires Transmitters

**9** + Input Ch 2 for 2 wires Transmitters

**10** - Input Ch 2 for 2 wires Transmitters

**1** + Output Ch 1

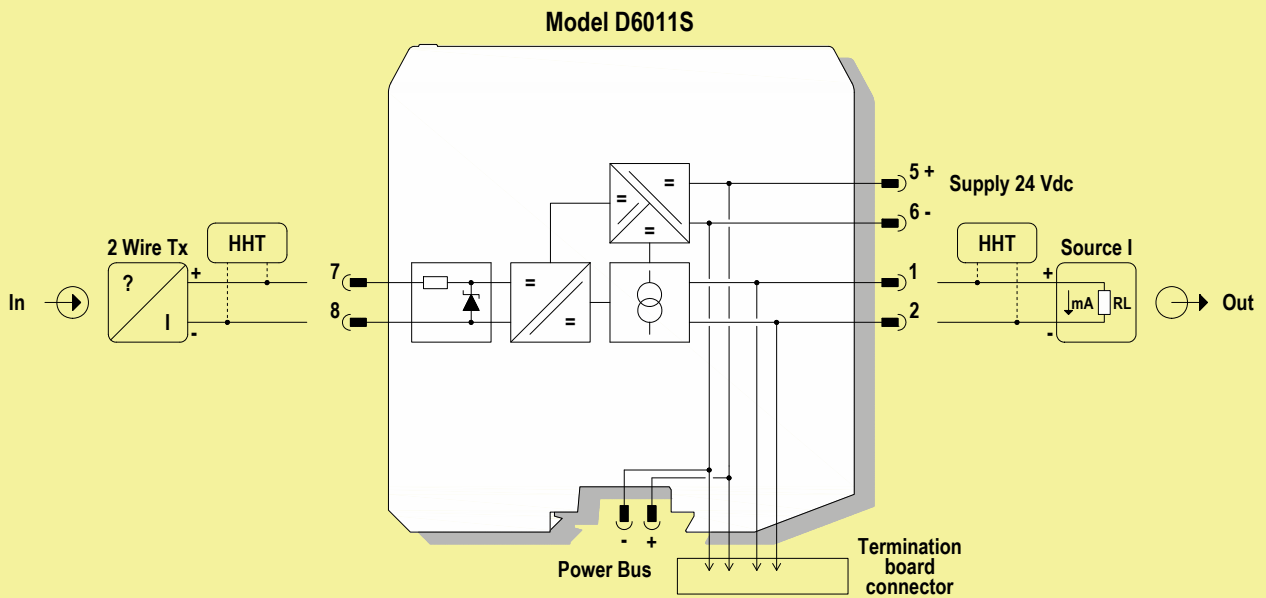
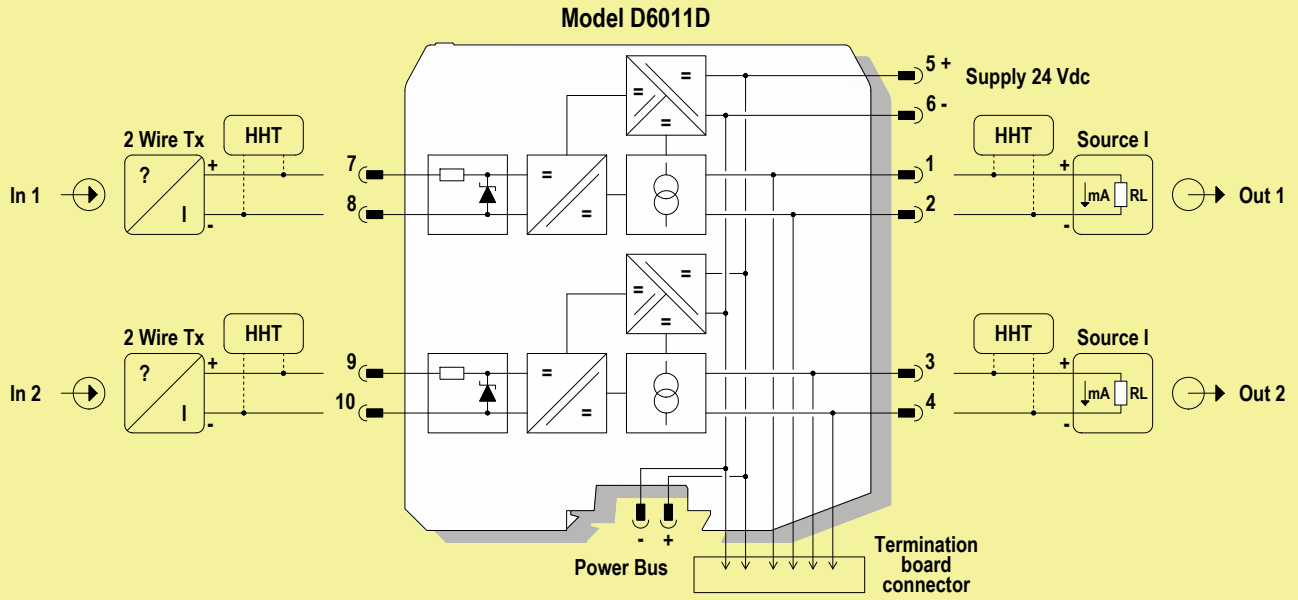
**2** - Output Ch 1

**3** + Output Ch 2

**4** - Output Ch 2

**5** + Power Supply 24 Vdc

**6** - Power Supply 24 Vdc



## Warning

D6011 series must be installed, operated and maintained only by qualified personnel, in accordance to the relevant national/international installation standards. Failure to properly installation or use of the equipment may risk to damage the unit or severe personal injury. The unit cannot be repaired by the end user and must be returned to the manufacturer or his authorized representative. Any unauthorized modification must be avoided.

## Operation

D6011 provides fully floating DC supply for energizing 2 wires 4-20 mA transmitters and repeats the current to a 4-20 mA floating output signal to drive a load. The circuit allows bi-directional communication signal for smart transmitters, a "POWER ON" green led lits when input power is present.

## Installation

D6011 series are repeater power supply hart compatible housed in a plastic enclosure suitable for installation on T35 DIN-Rail according to EN50022, with or without Power Bus or on customized Termination Board.

D6011 unit can be mounted with any orientation over the entire ambient temperature range.

Electrical connection of conductors up to 2.5 mm<sup>2</sup> are accommodated by polarized plug-in removable screw terminal blocks which can be plugged in/out into a powered unit without suffering or causing any damage.

The wiring cables have to be proportionate in base to the current and the length of the cable.

On the section "Function Diagram" and enclosure side a block diagram identifies all connections.

Identify the number of channels of the specific card (e.g. D6011S is a single channel model and D6011D is a dual channel model), the function and location of each connection terminal using the wiring diagram on the corresponding section, as an example:

Connect 24 Vdc power supply positive at terminal "5" and negative at terminal "6".

For Model D6011S connect positive output of channel 1 at terminal "1" and negative output at "2".

For Model D6011D in addition to channel 1 connections above, connect positive output of channel 2 at terminal "3" and negative output at "4".

For Model D6011S for 2 wires Transmitter, connect the wires at terminal "7" for positive and "8" for negative.

For Model D6011D in addition to channel 1 connections above, connect terminal "9" for positive and "10" for negative on channel 2.

Units must be protected against dirt, dust, extreme mechanical (e.g. vibration, impact and shock) and thermal stress, and casual contacts.

If enclosure needs to be cleaned use only a cloth lightly moistened by a mixture of detergent in water.

Any penetration of cleaning liquid must be avoided to prevent damage to the unit. Any unauthorized card modification must be avoided.

According to EN61010, D6011 series must be connected to SELV or SELV-E supplies.

## Start-up

Before powering the unit check that all wires are properly connected, particularly supply conductors and their polarity, input and output wires.

Check conductors for exposed wires that could touch each other causing dangerous unwanted shorts. Turn on power, the "power on" green led must be lit, for 2 wires transmitter connection the supply voltage on each channel must be  $\geq 14.5$  V, output signal should be corresponding to the input from the transmitter. If possible change the transmitter output and check the corresponding Safe Area output.