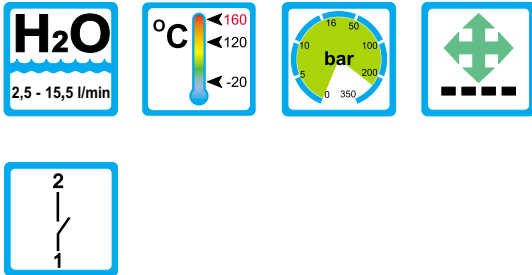


## RMU-A



### Range of Application

#### Operation

- Float measuring principle

#### Application

- Power cleaner
- Cooling systems and cooling circuits
- Mechanical engineering
- Research and development

#### Features

- Universal orientation
- High reliability
- Low sensitivity to dirt
- Infinitely variable switchpoint adjustment through user
- High pressure resistance
- Threaded connection, special threads on request

#### Installation hints

- The operating instructions for RMU must be observed!
- Download: [www.meister-flow.com](http://www.meister-flow.com)

### Operating Data

Operating pressure max.	250 bar
Pressure drop	see summary of types
Maximum temperature	120 °C (optional 160 °C)
Accuracy	±10 % of full scale

### Measuring Ranges

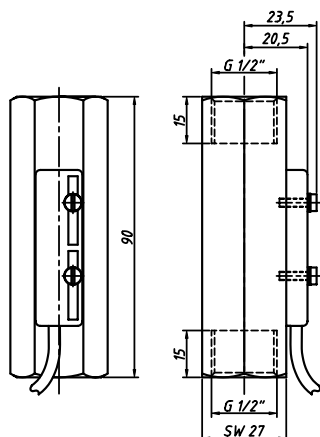
Type	Flow ranges for H <sub>2</sub> O at 20 °C <sup>(1)</sup>		
	[l/min]	[gph]	[gpm]
RMU-A11	2,5 - 11,0	40,0 - 175,0	
RMU-A15	5,0 - 15,5	80,0 - 245,0	

<sup>(1)</sup> The specified data are switch-off points, other switch ranges on request.



# Technical Data

## Mechanical drawing



## Electrical Data

Normally open 230V • 3A • 60VA

### Protection type:

IP67: 1 m sealed in cable

### Output signal

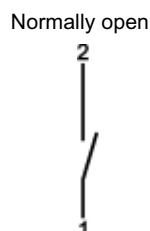
The contact opens, when the flow decreases below the set point.

### Power supply

Not required (potentialfree reed contact)

Other cable lengths on request

## Connection diagram



## Summary of types

Type:

	pressure drop [mbar]	Thread (inlet)	Thread (outlet)	Weight (approx.) [g]
RMU-A11	25 - 175	IG, G 1/2"	IG, G 1/2"	320
RMU-A15	85 - 250	IG, G 1/2"	IG, G 1/2"	320

## Material

wetted parts:

Body:	Brass
Float:	Brass
Spring:	1.4571
Magnets:	Hard ferrite



TR Automatyka Sp. z o. o.  
ul. Lechicka 14 ; 02-156 Warszawa

Tel. (+48 022) 886 10 16  
Fax. (+48 022) 846 50 37

[www.trautomatyka.pl](http://www.trautomatyka.pl)  
[biuro@trautomatyka.pl](mailto:biuro@trautomatyka.pl)